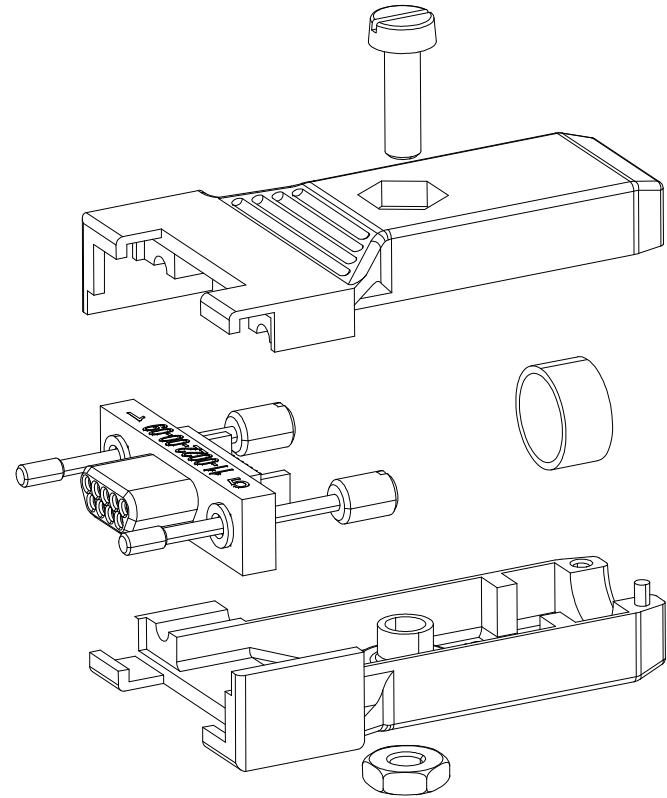


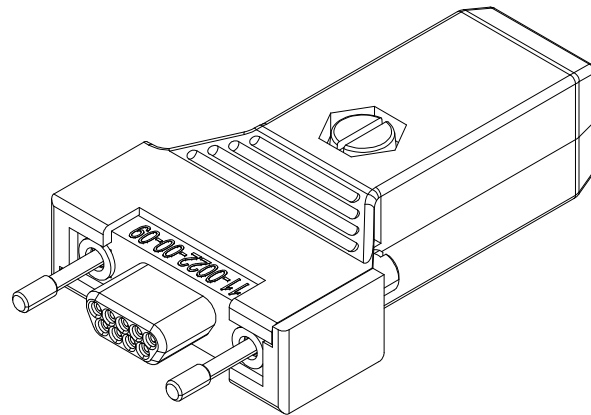
- 1: GND
- 2: IRLED_CTRL_OUT
- 3: AUX_OUT
- 4: GND
- 5: GND
- 6: VCAP_OUT
- 7: 3.3V
- 8: EXT_SYNC_IN
- 9: EXT_SYNC_OUT

NOTE:

#4 GND should be paired with #8 EXT_SYNC_IN
#5 GND should be paired with #9 EXT_SYNC_OUT



Cable Hood Assembly



Wiring Diagram
Custom Breakout Cable
V120:SLIM
NaturalPoint
2-8-10